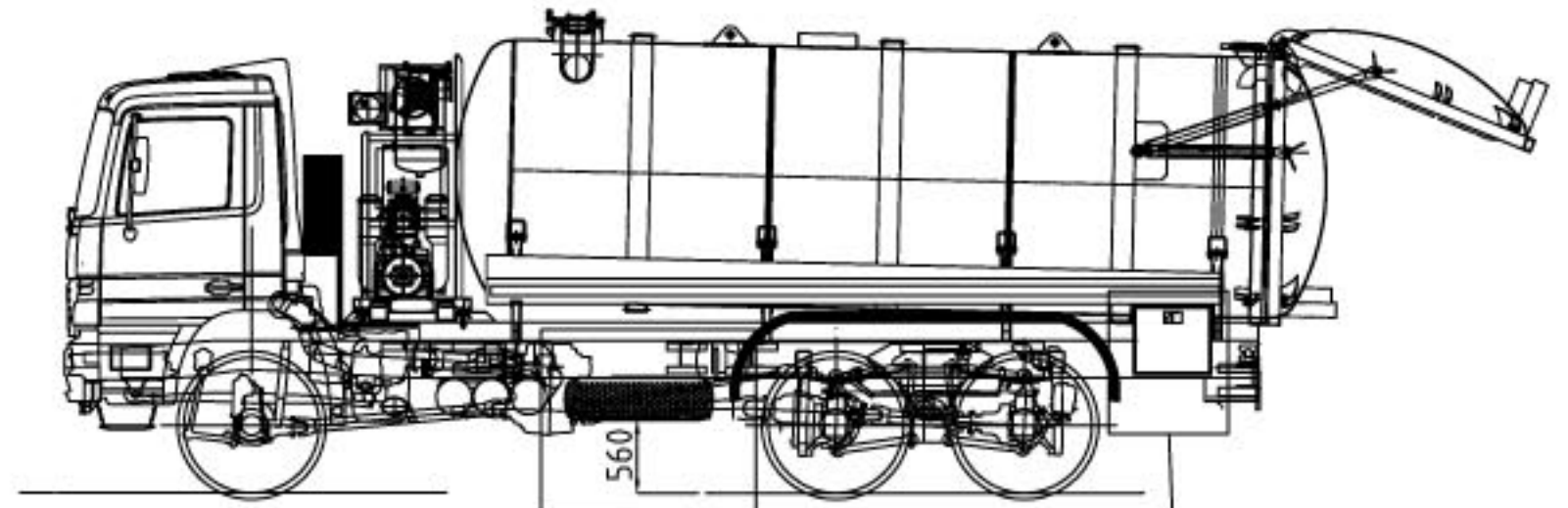


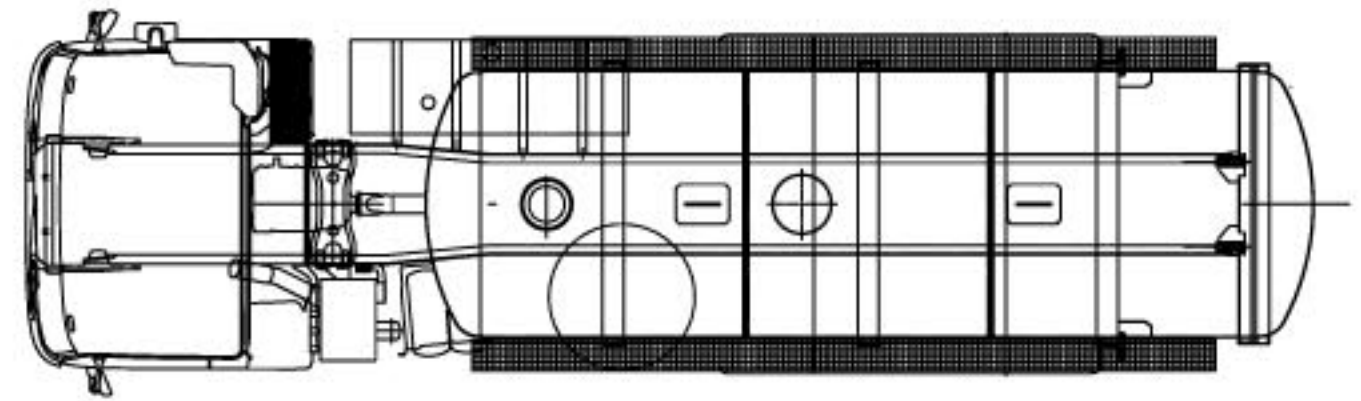
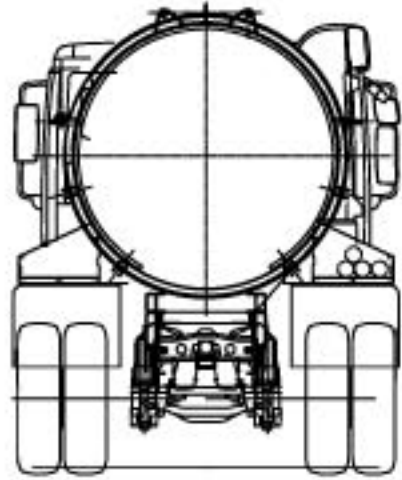
D
EXTINGUISHER

A
FUEL TANK

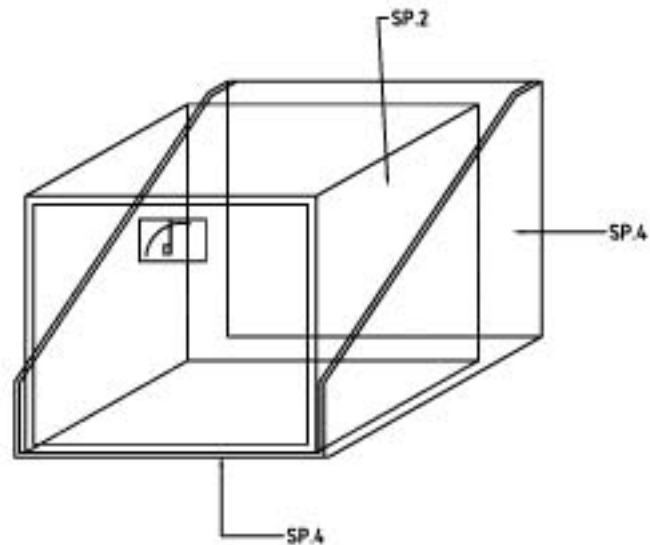


B
SPARE WHEEL

C
TOOL BOX
SEE DETAILED DRAWING C



DETAILED DRAWING C



Title EQUIPMENT DRAWING			
Des.	Date	Off.	2175-HATT-LAT
rb	25/09/06		